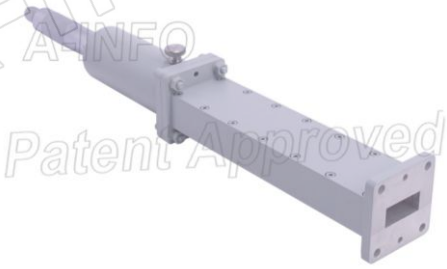


Technical Specification

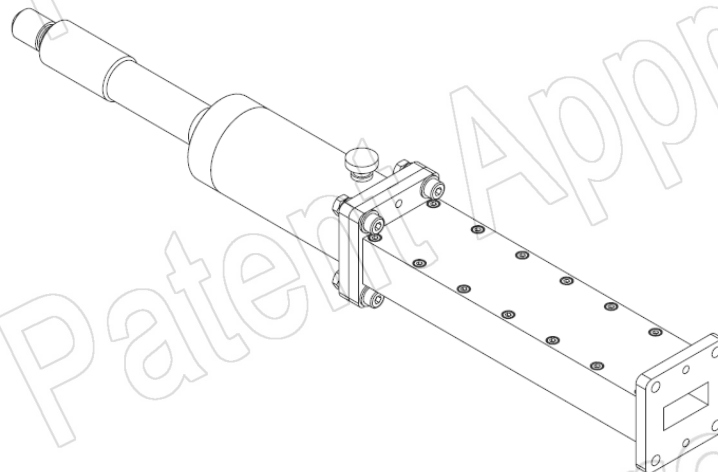
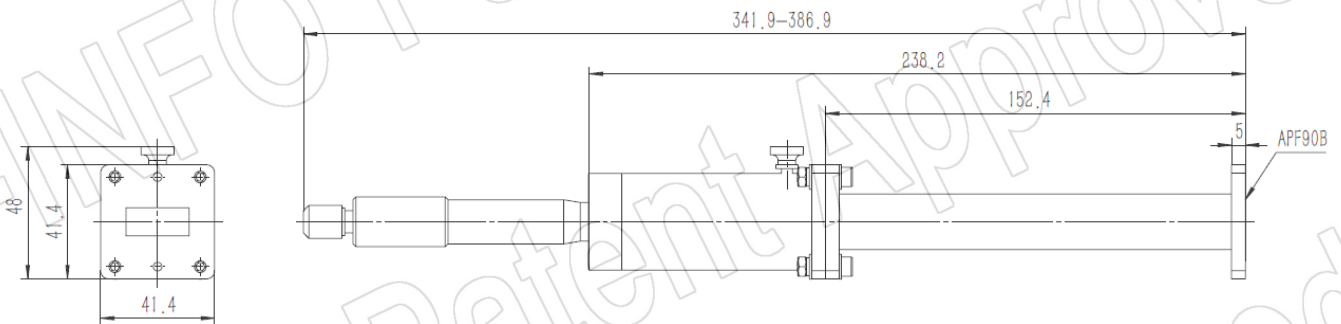


EIA WR	WR90
Frequency Range(GHz)	8.2 – 12.4
VSWR	>50
Flange	APF90B
Material	Al
Size(L)(mm)	341.9~386.9
Net Weight(Kg)	0.7 Around

PATENT ID (China)

ZL202010897766.X, ZL202030750674.X

Outline Drawing (Size: mm)



AINFO Inc.

Page 1 of 4

China(Beijing):
China(Chengdu):
USA :

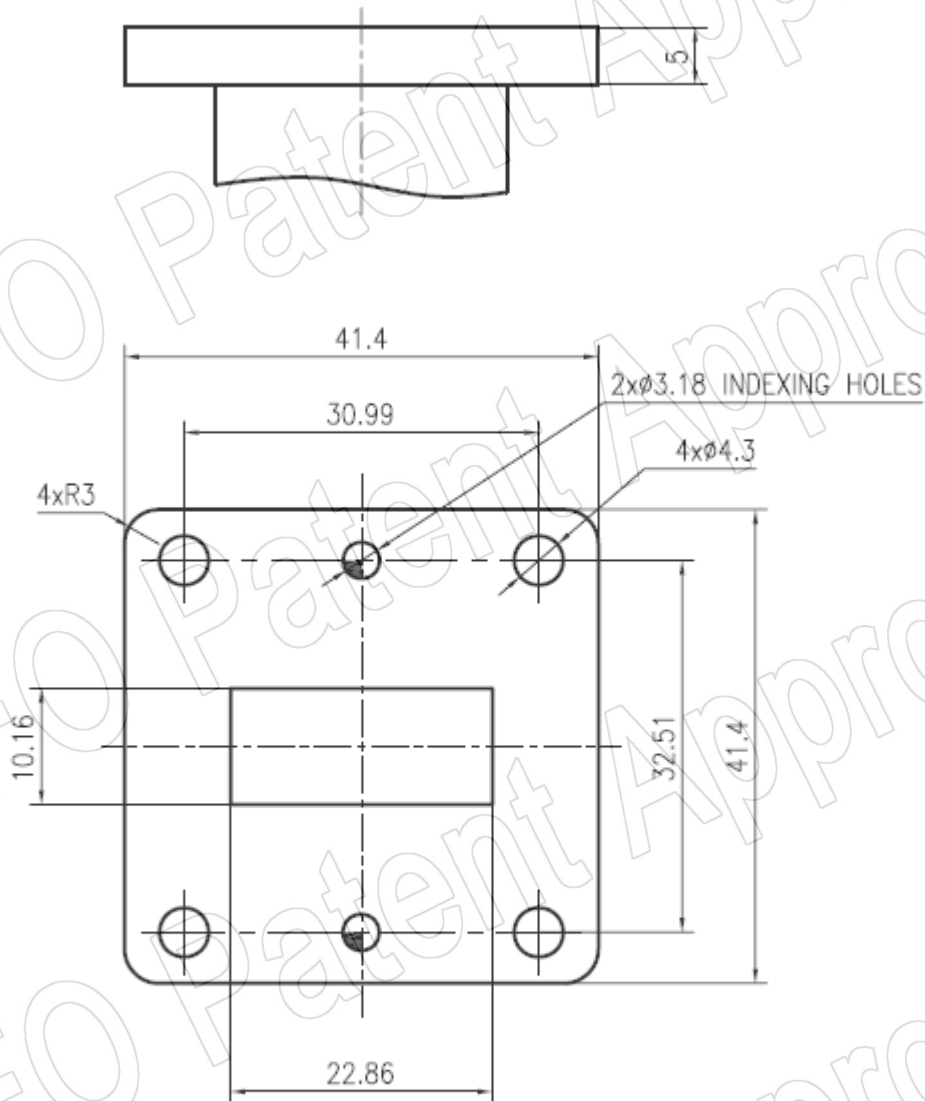
Tel: (+86) 10-6266-7326,
Tel: (+86) 28-8519-2786,
Tel: (+1) 949-639-9688,

(+86) 10-6266-7327
(+86) 28-8519-3044
(+1) 949-639-9608

Fax: (+86) 10-6266-7379
Fax: (+86) 28-8519-3068
Fax: (+1) 949-639-9670

Website: www.ainfoinc.com
Email: sales@ainfoinc.com

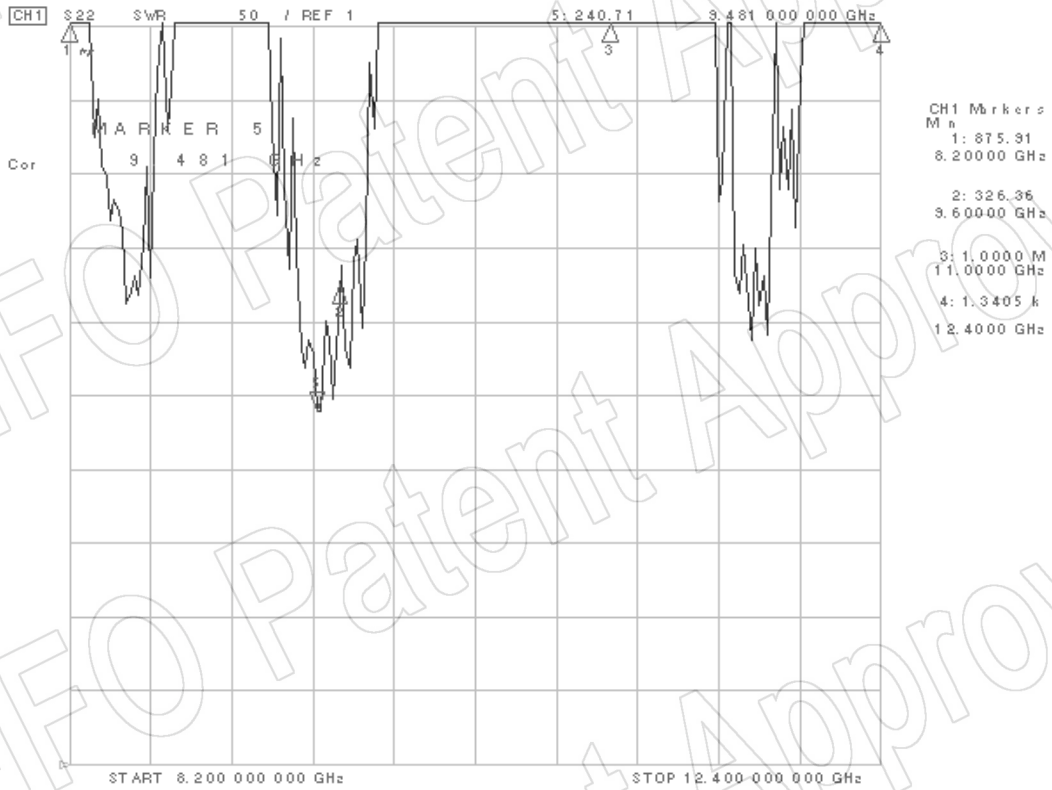
Flange Drawing (Size: mm)



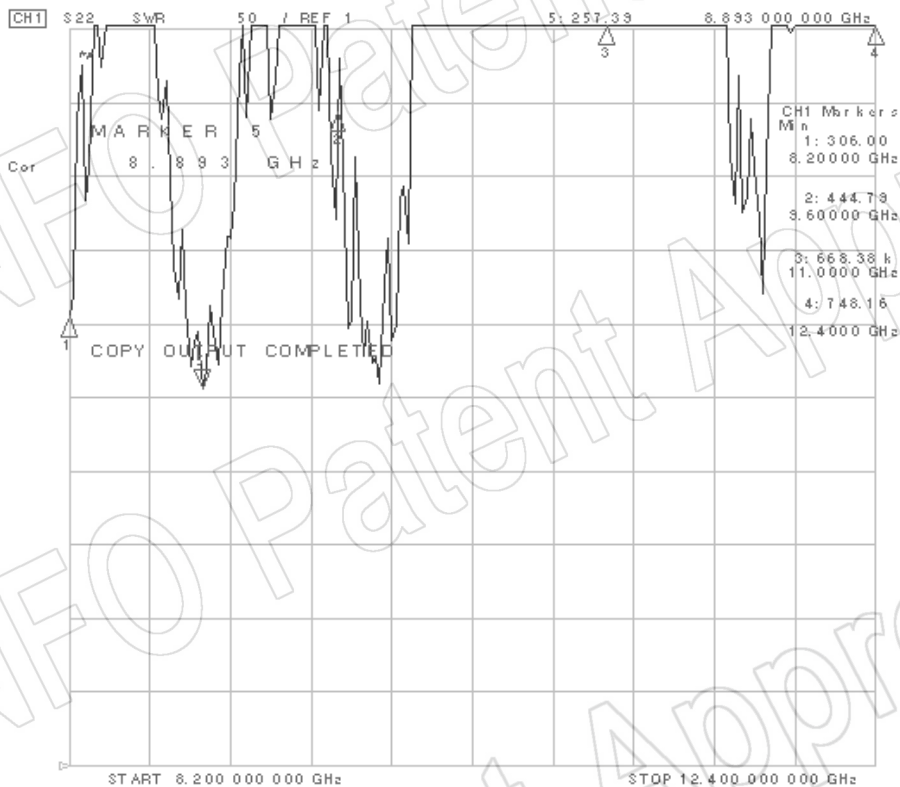
APF90B

Test Results

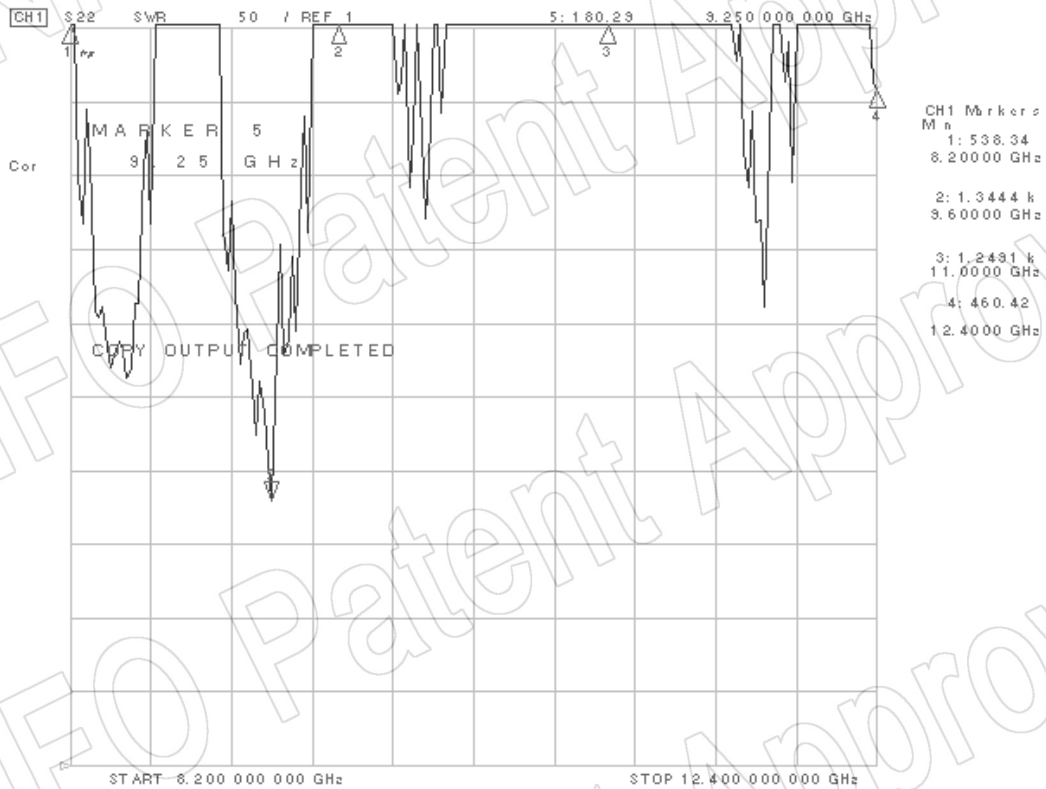
VSWR (at 0mm)



VSWR (at 15mm)



VSWR (at 30mm)



VSWR (at 45mm)

